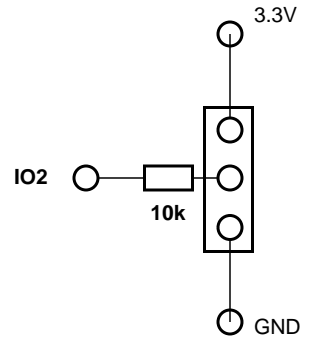


Should be changed to below.



PB-5R0V474-R
(Digikey 283-2790-ND)

This resistor was removed.
Couldn't reset with the resistor.

10kohm otherwise noticed